



ReMaCon Products CC

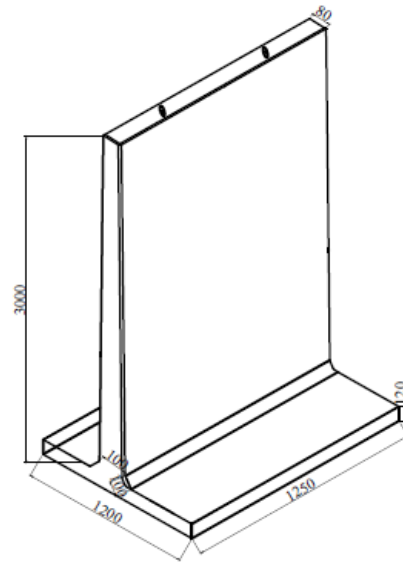
ReMwall

FREE STANDING HIGH SECURITY WALLS

011-393 5504 or Christopher 082 880 0184

STANDARD

HEIGHT	BASE WIDTH	MASS
H	B	KG
2500	1200	+ - 1200
3000	1200	+ - 1500
3500	1200	+ - 1770
4000	1200	+ - 2060



REMWALL 3D VIEW

ANTI-CLIMB & Dust suppression

HEIGHT	BASE WIDTH	MASS
H	B	KG
2760	1200	+ - 1435
3260	970	+ - 1735
3760	1200	+ - 2000
4260	1400	+ - 2300
4760	1650	+ - 2660

